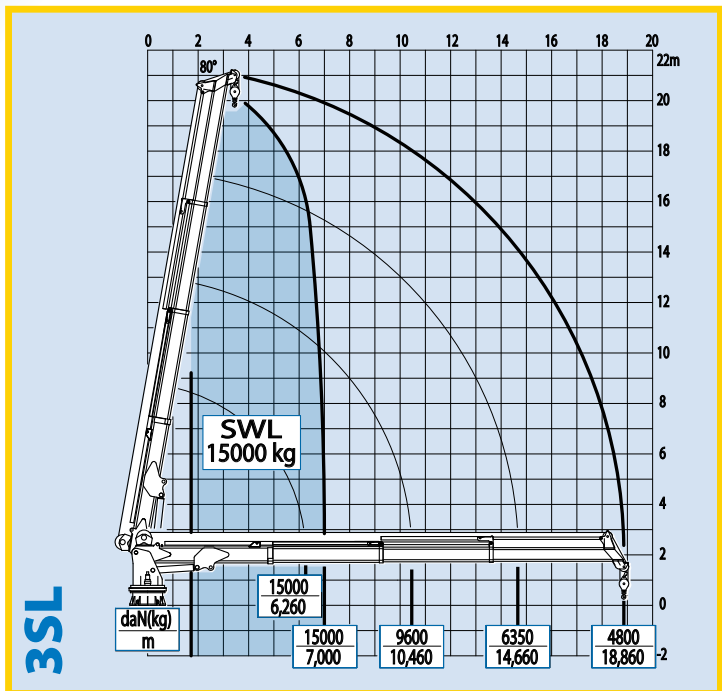


DECO 120

LOAD CHART



TECHNICAL CHARACTERISTICS

Description	u.o.m.	2SL	3SL	3SL**
Max. hydraulic outreach	m	14,50	18,86	22,86
Capacity at max. outreach	kg	7300	4800	3450
Max. lifting moment	kNm	1509,30	1539,40	1131
Slewing arc	(°)	360 / unlimited		
Slewing moment	kNm	117,70		
Working pressure	bar	265/295		
Recommended oil delivery	l/min	110		
Weight of the standard crane (± 2%)	kg	9800	11100	12100

*The technical data refers to the version with one slewing system / **Special version available on request

NOTE: The boom versions and accessories mentioned in this brochure are not the only options available. Lifting capacities are based on the maximum lifting power of the crane. The stability of the crane's base or the installation of some accessories may require derating of the crane. For the complete data and more technical details on the crane performances and operation you are kindly invited to look in the 'Info-tech' section available at your nearest Effer dealer or to download them from the website www.effer.it.



NOTE: Technical modifications may change the stated data.

TECHNICAL DESCRIPTION

- Design according to DIN 15018/H1 B3
- Full fabricated construction with high-grade steel S 690 and S 890
- All steel components shotblasted and protected with zinc primer
- Marine painting cycle
- Continuous slewing and operator platform with seat for top controls
- Slewing ring with double-race ball-bearing driven by reduction gear unit
- Full proportional controlbank with modular elements prearranged for winch installation
- Load moment limit device
- Prearranged support plates for winch mounting
- Up to three hexagonal extensions with single stage cylinders
- Cylinder rods with special NiKrom coating and marine chrome coating
- Hose end fittings protected with heat shrunk shroud
- Stainless steel pipes with stainless steel fittings
- Holding valves flanged directly to the cylinder barrels

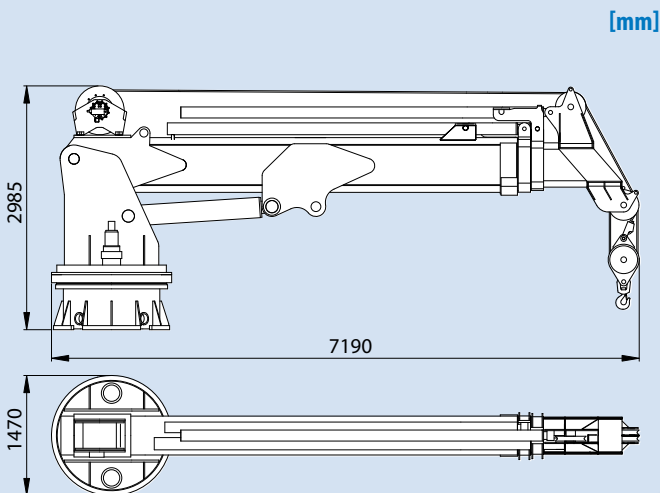
Mod: DECO 120 - Data: 17-05-2007 - Rev. 00

AVAILABLE OPTIONS

- Double slewing system
- Controlbank prearranged for variable pump and radio remote controls
- Radio controls
- Winch up to 4000 daN capacity installed under the boom
- Winch up to 8000 daN capacity installed over the boom
- End stroke device + Emergency stop
- Centralized greasing

www.inprima.it

OVERALL DIMENSIONS



BSL

