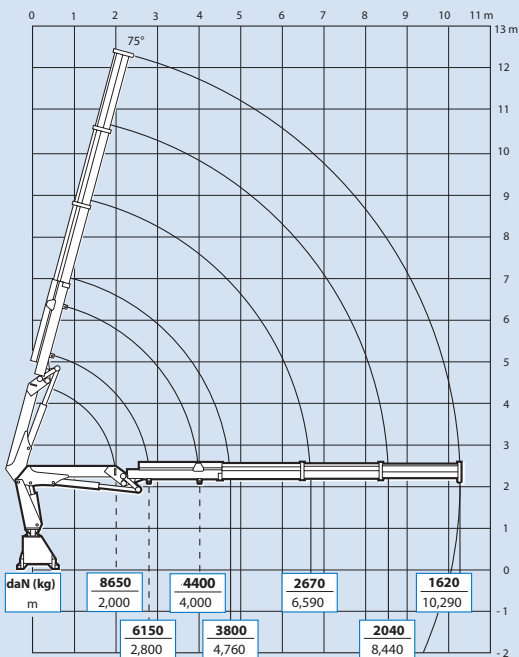


EFFER

20000

LOAD CHART



TECHNICAL CHARACTERISTICS

Description	u.o.m.	1S	2S	3S
Max. hydraulic outreach	m	6,48	8,46	10,29
Capacity at max. outreach	kg	2800	2050	1620
Max. lifting moment	kNm	178	177	177,3
Slewing arc	(°)		400	
Slewing moment	kNm		41,2	
Working pressure	bar		280	
Recommended oil delivery	l/min		30	
Weight of the standard crane (± 2%)	kg	1920	2100	2530

NOTE: The boom versions and accessories mentioned in this brochure are not the only options available. Lifting capacities are based on the maximum lifting power of the crane. The stability of the crane's base or the installation of some accessories may require derating of the crane. For the complete data and more technical details on the crane performances and operation you are kindly invited to look in the 'Info-tech' section available at your nearest Effer dealer or to download them from the website www.effer.it.

NOTE: Technical modifications may change the stated data.



- Design according to DIN 15018/H1 B2
- Full fabricated construction with high-grade steel designed for installation in reduced spaces
- All steel components are sandblasted and protected through cathodic electroplating and marine painting cycle
- Pins with Nichel protective coating in bronze bushings
- Double slewing system with adjustable pad to set the play on the slewing motion
- Extensions with a three stages cylinder
- Self lubricating sliding pads on the boom extensions
- Sequence valves on the extensions cylinders
- Cylinders rods with special NiKrom coating and marine chrome coating
- Proportional control bank prearranged for winch installation
- Stainless steel pipes with stainless steel fittings
- Holding valves flanged directly to the cylinder barrel
- Hydraulic components protected by casings

AVAILABLE OPTIONS

- Manual retracting extensions with extension blocking device
- Up to 2 supplementary controls for hydraulic accessories
- Winch up to 3000 daN capacity
- End stroke device + Emergency stop
- Load moment limit device
- Fully proportional controlbank with modular elements prearranged for radio remote controls
- Radio-control

OVERALL DIMENSIONS

